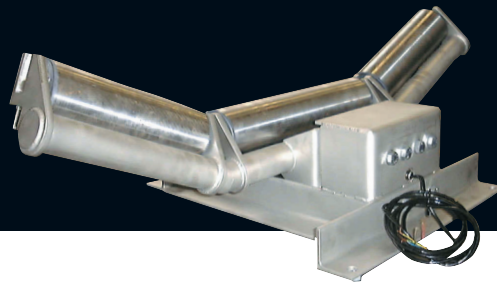
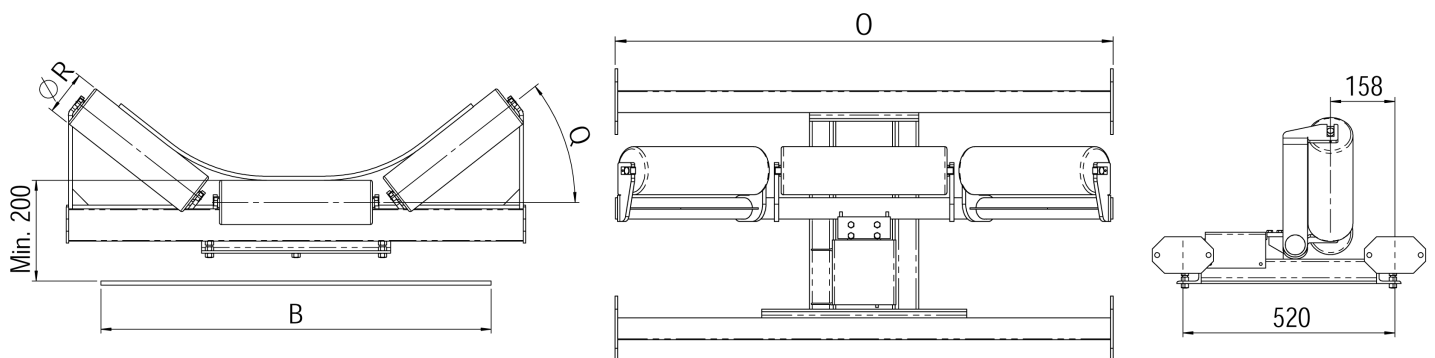


DIMENSIONS FOR INSERTABLE BELT SCALE VIB/EES

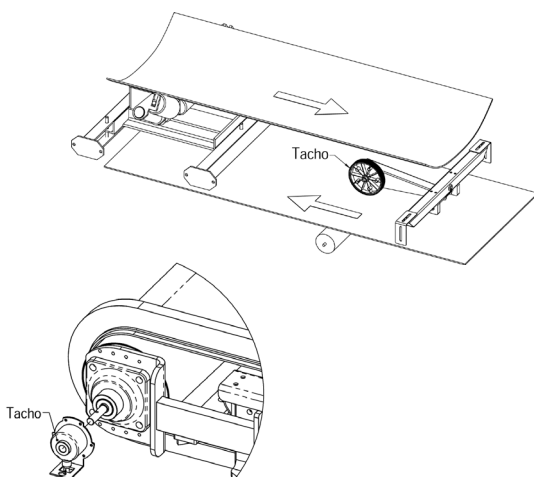


Insertable belt scale VIB/EES - single rolling frame



Customer adapted solutions: B = Belt width (300-1500 mm) / O = Inner dimension between conveyor members / Q = Trough angle
 Roller diameter: 89 - 133 mm.

Specifications for the incremental encoder (Tacho)



Standard, IP65, 2-channel incremental
 ATEX 21+22, IP68, 2-channel incremental

Principle 1: Carrying wheel with inductive sensor.
 Measuring range / Inductive
 Incremental encoder (Tacho): > 0.1 m/sec. 4.0 m/sec.
 Carrying wheel PUR PUR roller path 500 mm radius.

Principle 2: Optic electronic quilled incremental encoder (Tacho),
 for mounting on idler roll (journal Ø12mm).
 Measuring range 0.1-4.0 m/sec.

